

P9 WX36N | Pen Interactive

Make interactivity a reality for your classroom with multiple students working together at the same time in an interactive area as large as 110 inches. Enjoy brilliant WXGA images on a budget that would be impossible with a flat panel display of comparable size



Features

- 3,600 lumens, standard-throw projector
- Collaborative learning with up to 5 pens/students simultaneously working together
- Includes MimioStudio™ classroom software with 3-device MimioMobile™ license
- Multiple inputs, including 2 HDMI ports
- USB display for PC-less presentation
- Keystone correction: H/V, Auto, 4-Corner, Pincushion, Barrel

Main Office:

8722-8843 • 8725-5424 • 8724-7813
8721-4332 • 8725-0437 • 8727-0637
8721-6145 • 8725-9359 • 8722-8845

Main Office:

#50 F. Blumentritt Cor. R. Pascual St., San Juan City

Specifications

Display	
Brightness	3,600 lumens (2,500 eco)
Light Source	218W Phillips, low-pressure mercury vapor
Lamp Life (typical)	5,000 hrs. (standard) 10,000 hrs. (eco)
Native Aspect Ratio	16:10 (standard) 4:3 (compatible)
Native Resolution	WXGA 1,280 x 800
Supported Resolution	Up to WUXGA 1,920 x 1,200
Image Size (diagonal)	30 in. ~ 300 in. / .942 m ~ 11.595 m
Keystone Correction	V: $\pm 30^\circ$ (auto and manual) H: $\pm 15^\circ$ (manual) Pincushion/Barrel Correction Corner Keystone
Contrast Ratio (typical)	15,000:1 (with IRIS and eco mode)
Color Reproduction	1.07 billion
Color Uniformity	80%
Projection Lens	f=1.6 ~ 1.76
Projection Lens	f=19.158 ~ 23.018mm
Zoom Ratio	1.2x optical
Throw Ratio	1.48 ~ 1.78:1
Focus Type	Manual
Projection Technology	3 x 0.59 in. LCD (Liquid Crystal Display)

Closed Captioning	CC1, CC2, CC3, CC4
Audio/Video Connections	
Digital A/V Inputs	<ul style="list-style-type: none"> - HDMI x 2 (1 x MHL) Mobile High Definition Link - USB-A <ol style="list-style-type: none"> 1. Memory card viewer 2. Wi-Fi dongle (optional accessory) - USB-B - LAN x 1 (also control)
Video Analog Inputs	<ul style="list-style-type: none"> - VGA x 1 (also YCbCr/component, SVideo) - VGA x 1 (switched in/out) - Video x 1
Video Analog Outputs	- VGA x 1 (switched in/out)
Audio Analog Inputs	<ul style="list-style-type: none"> - RCA L/R (mono) x 1 - 3.5mm x 1
Audio Analog Outputs	- 3.5mm x 1
Speaker	10 W x 1
Interactive	Mini-USB
Control	
Control	<ul style="list-style-type: none"> - RJ45 x 1 (shared with video) - RS-232C
LAN Control Protocols	<ul style="list-style-type: none"> - Crestron RoomView - AMX Discovery - PJ Link
Service/Network	USB-B x 1 (shared with video)
Interactive- Pen	
IR Band	940 nm
Interactive Points	<ul style="list-style-type: none"> - Windows: Up to 5 pens - MAC: 1 pen
Image Size for Tracking	50 in. ~110 in.
System Requirements	
OS Supported	<ul style="list-style-type: none"> - Microsoft Windows 7 / Windows 8 / Windows 10 (.NET Framework 4.0 installation is required) - Mac OS X v10.8 to 10.12



Processor Type	Intel Core™ i3 (Windows); Intel (Mac)
RAM	2 GB or More
Min. HDD Space	350 MB
Mechanical	
Mounting	Table/ceiling, front/rear
Security	<ul style="list-style-type: none">- Security bar- Password- Control panel lock- Kensington lock
General	
Power Supply	100~240V @ 50/60Hz
Power Consumption (typical)	<ul style="list-style-type: none">- 270 W- <0.5 W (eco standby)- <3 W (network standby)
Fan Noise Max	34.9dB (eco) 38.9dB (normal)
Lamp Access	Top
Filter Access	Side
Environmental	
Operating Temperature	0°C ~ 40°C (35°C ~ eco)
Storage Temperature	-20°C ~ 60°C
Operating Humidity	20% ~ 85%
Storage Humidity	10% ~ 85%
Dimensions and Weight	
Product Dimensions	347 mm x 257 mm x 109 mm (13.66 in. x 10.12 in. x 4.3 in.)
Net Weight	3.2 kg (7.1 lbs.)

Packaged Dimensions	445 mm x 385 mm x 190 mm (18 in. x 15.2 in. x 7.5 in.)
Gross Weight	4.5 kg (10 lbs.)
Safety	
Certifications	TUV, CE, CB, FCC

What's in the box

Hardware

- Remote control with batteries
- 2 IR pens

Documentation

- MimioStudio Download Card
- Warranty card
- QuickStart Guide
- CD Usermanual

Cables

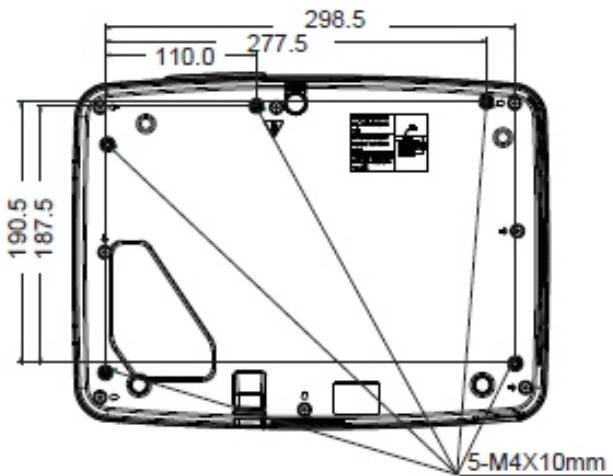
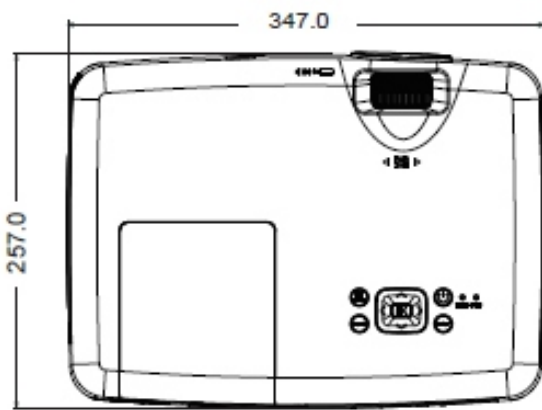
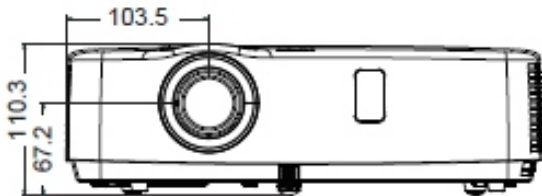
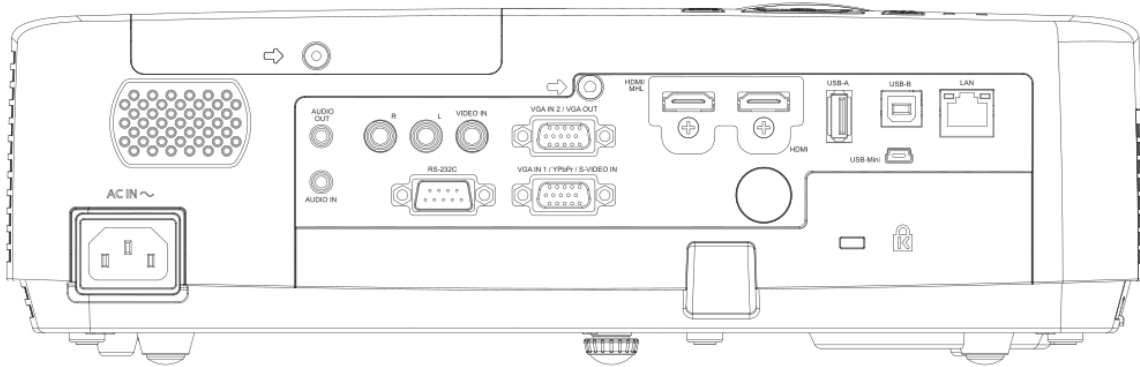
- HDMI cable(2 m)
- US power cord (2 m)
- Mini-USB to USB-A (2 m)

Options

- Lamps for Life
- ALLIN1-980 universal ceiling mount
- USB-Wi-Fi wireless USB adapter
- Extendablewand

Specifications are subject to change without notice

Drawings



Main Office:

8722-8843 • 8725-5424 • 8724-7813
8721-4332 • 8725-0437 • 8727-0637
8721-6145 • 8725-9359 • 8722-8845

Main Office:

#50 F. Blumentritt Cor. R. Pascual St., San Juan City